



DESCRIPTION

- The LUMAXGATE 0-10V/1-10V/ PWM/DIGITAL CONTROL Compact Controller Module is an electronic interface that allows to control up to 32 units of ITALED DC-DC drivers

ELECTRICAL

Vin Voltage	24 / 48V DC
Vout Voltage	24 / 48V DC
Max Drivers Connected	N° 32

ENVIRONMENT

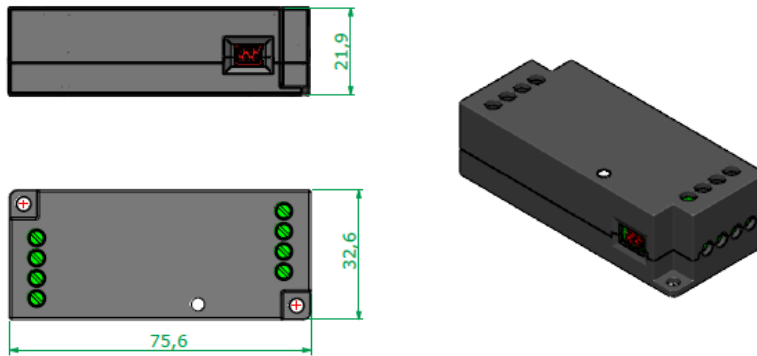
Working Temperature	-25° ÷ +50°C
Storage Temperature/Humidity	-20° ÷ +60°C; 10 ÷ 95%RH
Lifetime	50.000hrs
Warranty	5 years

MECHANICAL

Dimensions Dimensions (L x W x H): 75,6 x 32,6 x 21,9 mm; (inch: 2,97 x 1,28 x 0,86)

Electrical Connections

- Terminal Block Input signal (left): Com-, Com+
- Terminal Block Drivers (right): +48V(red), GND- (black), Bus+ (white)



STANDARD

Safety Standards UL8750 - EN 61347-1 - EN 61347-2-13

EMC Interference EN 55015 - FCC part 15

EMC Immunity EN 61547

Environmental Rohs and reach compliant

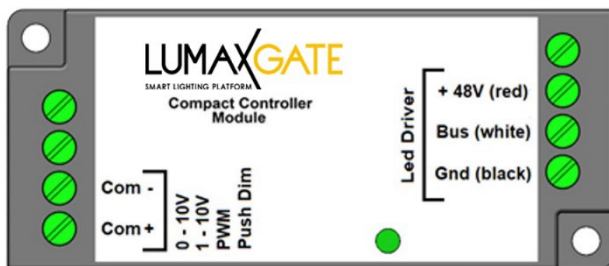
CONTROL

Interface

- 0-10V (ANSI E1.3, Entertainment Technology)
- 1-10V (IEC 60929 Annex E)
- 100K Ω Potentiometer
- Push-Dim
- PWM (*)

CONNECTIONS

REQUIREMENTS

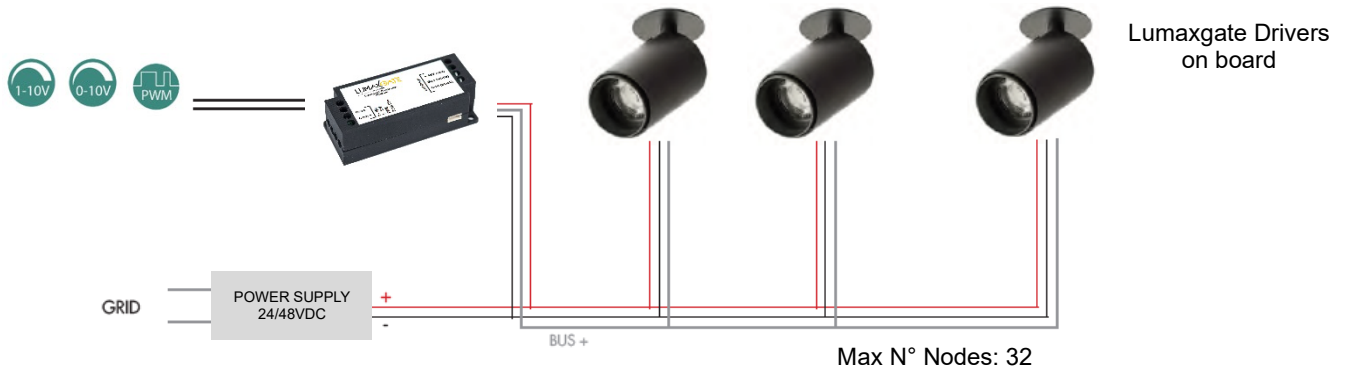


Terminal	Description
Com+	0-10V/1-10V/PWM/DIGITAL CONTROL
Com-	Signal Negative
+48V (red)	24 / 48V DC from Power Supply
Bus (white)	Communication Bus Voltage
Gnd (black)	Common for 24/48Vdc and Bus

(*) Minimum voltage value for logical high level: 14V

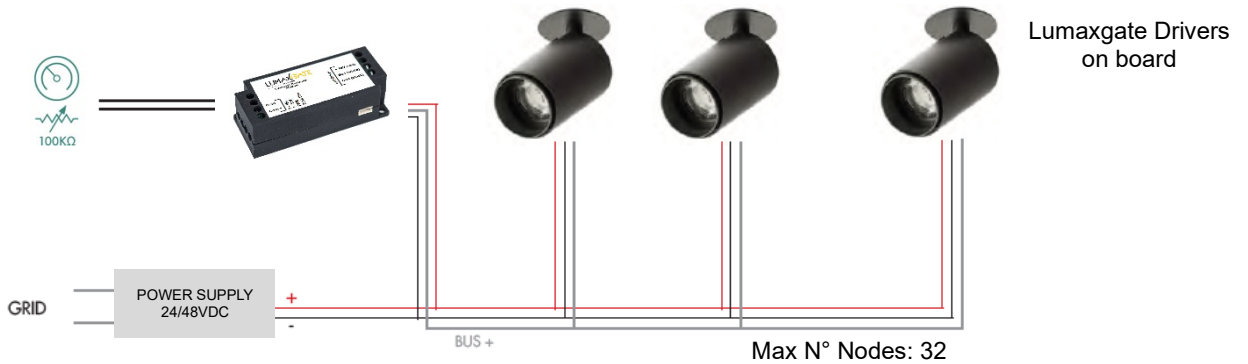
0-10V/1-10V/PWM ARCHITECTURE (ISOLATED)

- It is possible to send broadcast command to all connected Led Drivers
- All connected LED Drivers executes the same command



POTENTIOMETER ARCHITECTURE (ISOLATED)

- It is possible to send broadcast command to all connected Led Drivers
- All connected LED Drivers executes the same command



PUSH DIM ARCHITECTURE (ISOLATED)

- It is possible to send broadcast command to all connected Led Drivers
- All connected LED Drivers execute the same command

